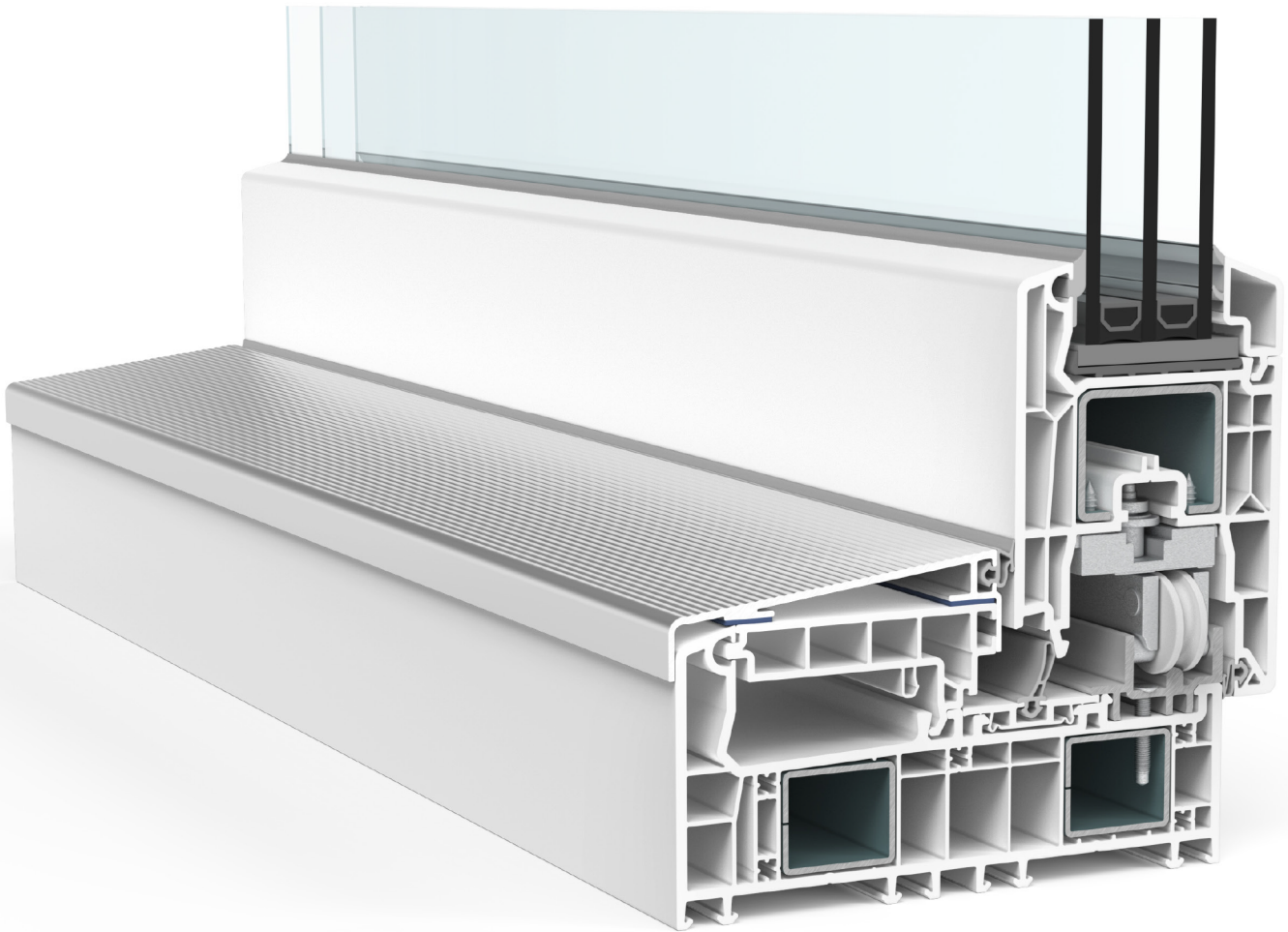


The sliding system for  
practical home comfort

# VEKAMOVE 76



The Quality Profile  
★★★★★★

# VEKAMOVE 76

## The new sliding system in VEKA quality

VEKAMOVE 76 expands the VEKA portfolio as an additional sliding system that lends itself well in particular to the realisation of space-saving room concepts. The totally new development is characterised among other things by a peripheral centre seal that features as standard, which guarantees excellent imperviousness coupled with modern insulation values. With its smooth and easy operation, the system is an attractive alternative to conventional parallel slide-and-tilt doors.

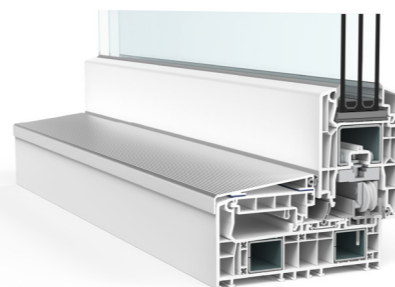
Thanks to top air permeability and impermeability to driving rain, VEKAMOVE 76 is also ideally suited to use as a sliding window or door in multi-storey commercial and private buildings. At the same time, it meets the diverse requirements of architects and planners when it comes to heat and sound insulation and burglary protection.

The fabricator additionally benefits from the clear focus on economical fabrication. VEKAMOVE 76 enables sliding doors and windows to be manufactured on the basis of welding, with just six new PVC-U profiles being needed. All the other profiles can be conveniently sourced from the established VEKA range.

### Impressive figures

The new VEKA sliding system is founded on tried and tested VEKA quality with Class A wall thicknesses and enables functional glazings with glass thicknesses of up to 48 mm to be incorporated. With its slim installation depth of just 76 mm, the system also presents itself as the ideal solution for modernisation projects.

Not only does VEKAMOVE 76 make an impression with its technical specifications – it also sends a clear message regarding comprehensive sustainability. Thanks to the centre seal which is integrated as standard, the elements guarantee excellent imperviousness as well as good to very good thermal insulation. What's more, they are almost entirely recyclable, thereby enabling a clear commitment to be made to eco-friendliness and resource conservation.



### Thermal insulation values at a glance:

**Sliding door system**  $U_d = 0.817 \text{ W}/(\text{m}^2\text{K})$

(Element size 300 x 240 cm,  
glazing  $U_g = 0.6 \text{ W}/(\text{m}^2\text{K})$ ,  $\psi_g = 0.04 \text{ W}/(\text{mK})$ )

**Sliding window system**  $U_w = 0.831 \text{ W}/(\text{m}^2\text{K})$

(Element size 250 x 125 cm,  
glazing  $U_g = 0.5 \text{ W}/(\text{m}^2\text{K})$ ,  $\psi_g = 0.04 \text{ W}/(\text{mK})$ )



## The key advantages at a glance

### Fabrication and installation

- With a highly effective peripheral centre seal as standard
- Many new detail solutions for efficient production, simple installation and maximum fitness for purpose
- Developed for fabrication on standard welding systems
- Reduced complexity: just six new PVC-U profiles for an entirely new system
- Compatible with additional profiles from the SOFTLINE system family for a high degree of interchangeable components

### Architecture and home owners

- Modern thermal and sound insulation
- Three different opening schemes: A, C and K
- Stable elements and smooth operation
- Burglar resistance  
Class 4 air permeability  
Class 7a impermeability to driving rain
- A variety of surface designs with VEKA Fine Structure, VEKA SPECTRAL, VEKA coloured and decorative foils and exterior aluminium panels

# Comprehensively optimised construction

VEKAMOVE 76 enables the efficient and dependable production of sliding elements that meet modern comfort, energy efficiency, security and design requirements. This is all founded on an innovative construction that intentionally comprises just a handful of different components while nevertheless boasting a number of clever details.

### Fabrication-friendly casing frame

The newly developed VEKAMOVE 76 casing frame is designed with direct glazing in mind, thus allowing for an especially large proportion of glass in the fixed sash. All that's needed for its construction are glazing beads and, for the middle section, T-profiles from the familiar profile portfolio.

With an installation depth of just 150 mm, the new casing frame can be fabricated on all standard welding systems.

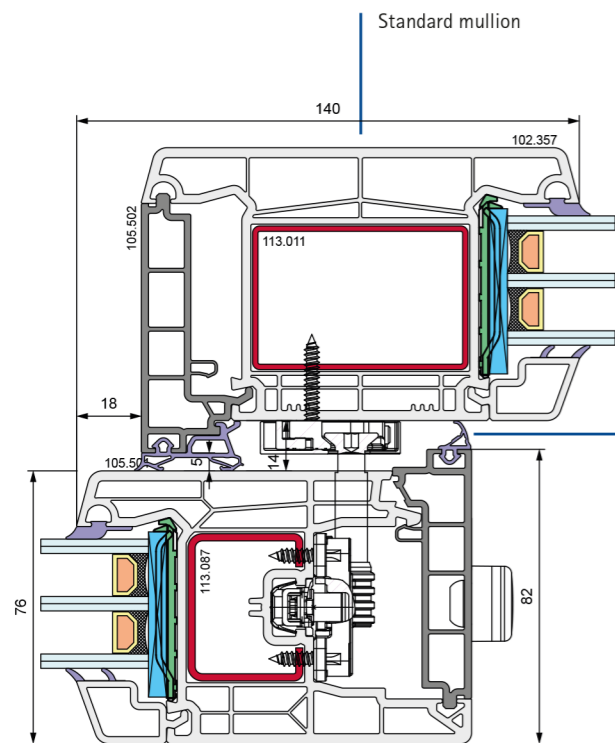
### Highly effective gasket system

As the only sliding system in the market with an installation depth of 76 mm, even the standard version of VEKAMOVE 76 features a highly effective centre seal system. The profile with the corresponding sealing groove is simply clipped into the casing frame. A version of this profile without a groove serves to cover the frame in the area of the fixed sash.

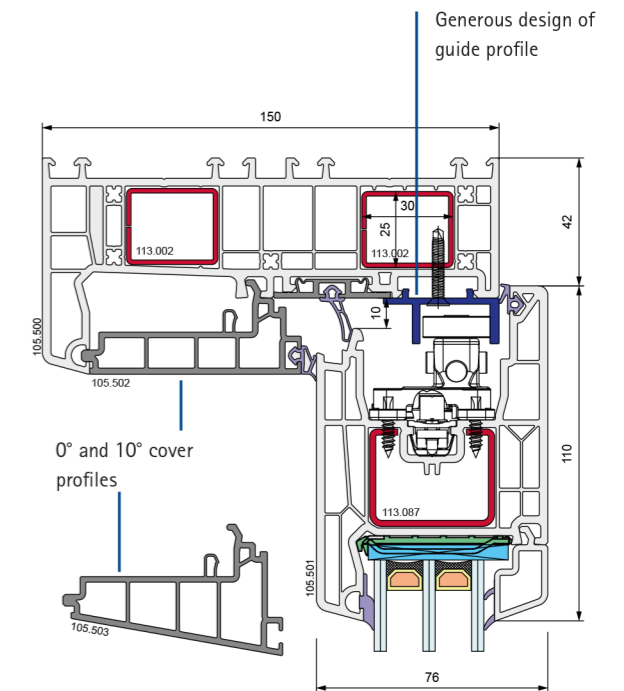
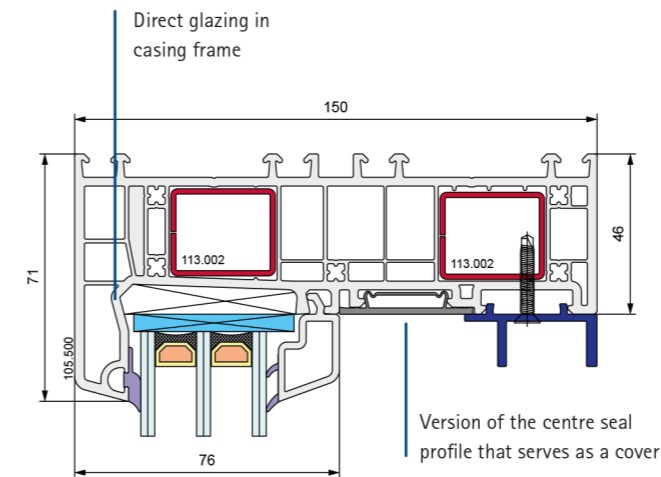
Imperviousness is further enhanced by a specially constructed seal in the area of the middle section.

### Maximum sizes per colour group

Colour group	Max. frame exterior dimensions (W/H (cm))	Max. sash dimensions (W x H (cm))
A	420/248	175 x 240
B	350/248	175 x 240
C	350/238	175 x 230



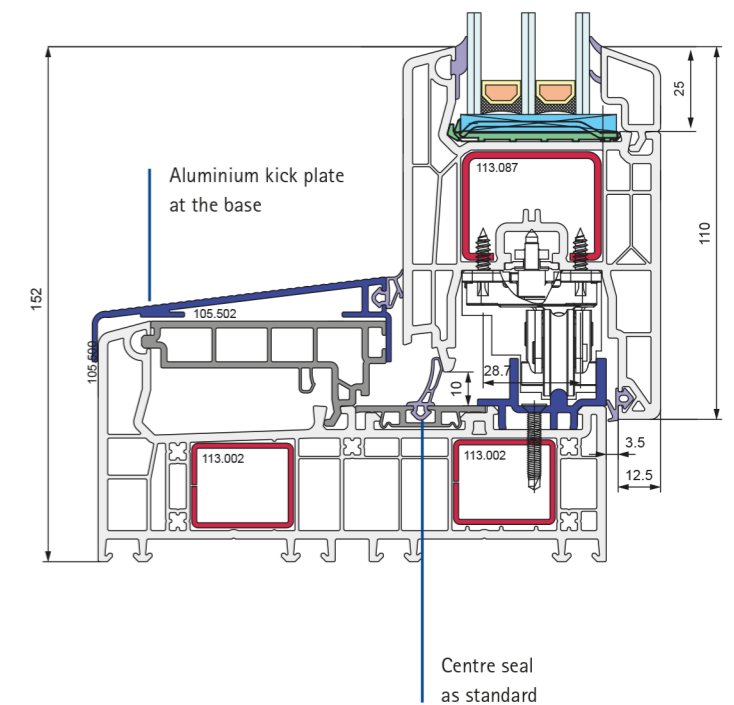
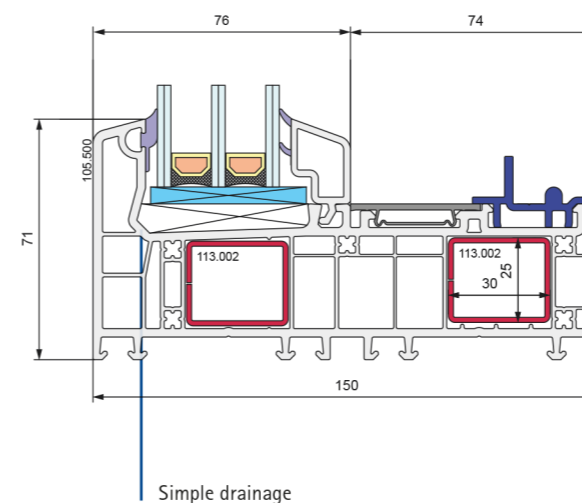
Standard mullion  
Second gasket groove in the middle section



### Versatile cover profiles

There are two versions of the new cover profile available for the opening area, one with a horizontal visible surface (0°) and another with a 10° angle. This means the design of the sliding elements

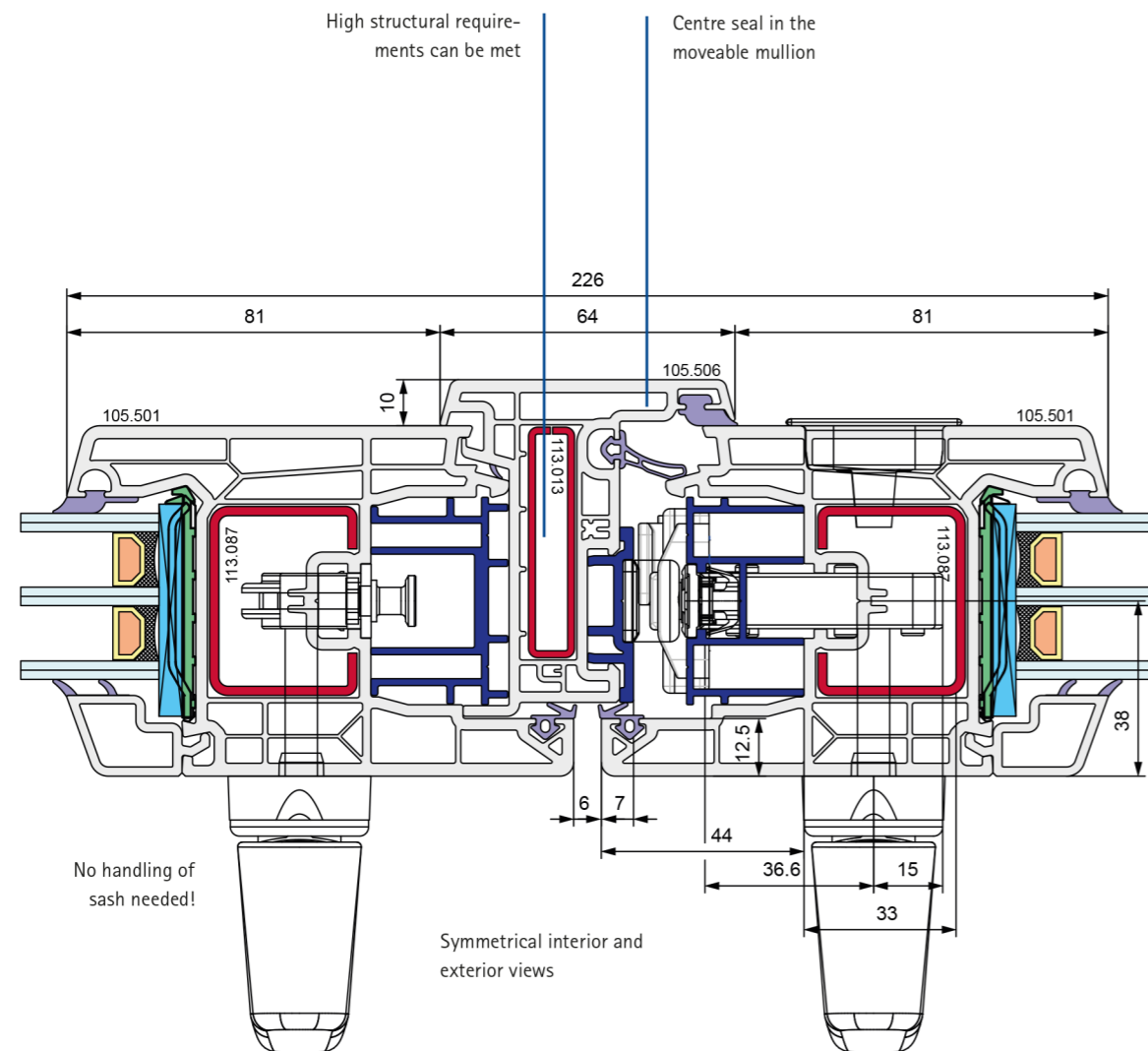
can easily be adapted to all kinds of customer wishes. The angled cover profiles can be used all round, while the straight profiles can be used in conjunction with a 10° aluminium kick plate.





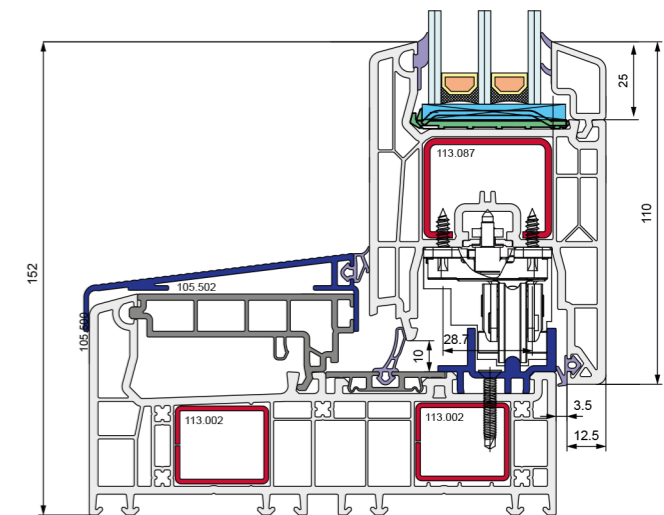
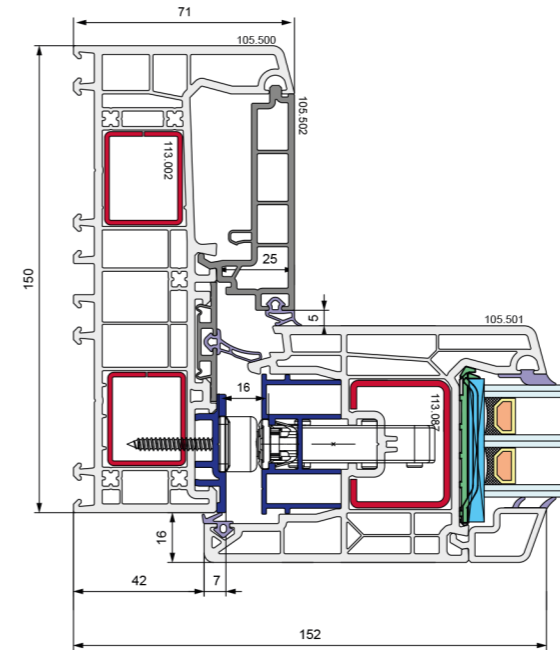
## Flexible living space design

Sliding elements with opening scheme C are especially interesting for home owners as they create a wide, generous opening area. VEKAMOVE 76 allows such elements to be efficiently produced in just a few work steps.



## Solutions for a high-quality look

Tailored design and colour wishes can easily be realised with VEKAMOVE 76. The look can be deliberately influenced simply by the choice of cover profile for the opening area. In addition, the entire array of VEKA surface options is available for the new sliding system: the VEKA Fine Structure and VEKA SPECTRAL design surfaces can be used, as can the high-quality VEKA coloured and decorative foils and exterior aluminium panels in all the RAL colours.



### Seamless design

From the outset, VEKAMOVE 76 has been optimised for single- or double-sided foil coating. As a result, a high-quality, uniform look can be achieved with little effort. Unfoiled profile parts (white or light grey base material) are only visible to a small extent when the element is open. Aluminium fitting elements in the opening area are likewise fully covered by the closed sliding sash.



### Design options with exterior aluminium panel

The sophisticated look of anodised or powder-coated aluminium remains hugely popular with home owners – and can be realised with VEKAMOVE 76 too with just a few additional work steps.



## **VEKA AG**

Ein Unternehmen der Laumann Gruppe

Dieselstraße 8

D-48324 Sendenhorst

Telefon +49 2526 29-0

info@veka.com

**www.veka.de**

### **VEKA quality – the strong promise**

As the world market leader of innovative window and door systems made of PVC-U, VEKA can look back on more than 50 years of success.

This success is founded on high profile quality and a comprehensive partner concept: VEKA offers all fabricators a unique and wide range of systems as well as surface varieties and guarantees reliable delivery.

In addition, VEKA partners benefit from comprehensive services for efficient fabrication and effective support in sales and marketing. This is how we guarantee joint success.



**The Quality Profile**

